

MANUALLY OPERATED

General Description

4 way semi-rotary slide valves with either lever or switch operation and 4 way linear slide valves in all stainless steel construction for onshore and offshore applications.

- Heavy duty
- Lever direct coupled
- 2 and 3 positions available
- For gases an liquids

Operating Medium

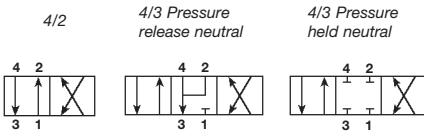
Gases

Filtered lubricated or non-lubricated air, inert gas, sweet (natural) gases. Sour gas option available *(details on application)*

Liquids

Low pressure hydraulic, mineral oil or water *(details on application)*.

Functional Symbols



Technical Data

Ports

Semi-rotary valves

- 1/4" NPT (BSP option available)

Cv (Kv)

- 1/4"- 1.96 (10)

Working pressure (gases)

- 0 to 10 bar (43.5 to 145 psi)

Working temperature

- -20°C to +70°C (-4°F to +158°F)

Flow

at 6 bar (87 psi), 1 bar (14.5 psi) differential

- 1/4" - 646 L/min (23 SCFM)



Construction Materials

- Stainless Steel AISI 316L to NACE MR-01-75 Body
- Stainless Steel AISI 316L to NACE MR-01-75 Slide Carrier
- 316 Stainless Steel Springs
- Nitrile Seals
- Graphite filled PTFE Slide

MANUALLY OPERATED (LEVER), MANUALLY OPERATED (SWITCH)

Preferred Models

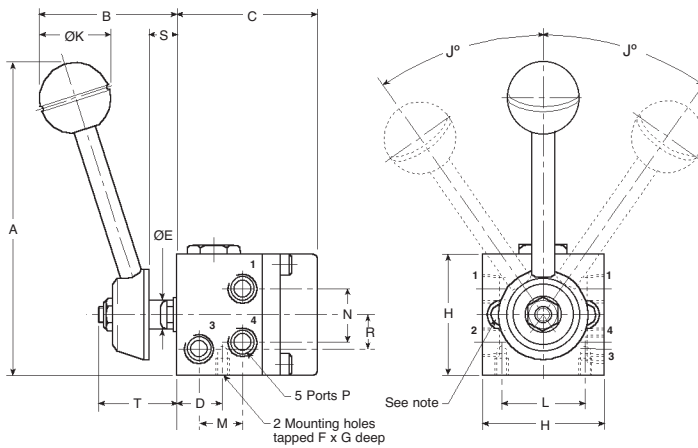
Model No	Description	Mass kg (lbs)	Symbol
2422B555SA2B	1/4"NPT 4/2 Lever operated, 2 position positive	1.27 (2.80)	
2422M525SA2B	1/4"NPT 4/2 Lever operated, spring return	1.27 (2.80)	
2432E555SA2B	1/4"NPT 4/3 Lever operated, positive, pressure release neutral	1.27 (2.80)	
2432D555SA2B	1/4"NPT 4/3 Lever operated, positive, pressure held neutral	1.27 (2.80)	
2432R555SA2B	1/4"NPT 4/3 Lever operated, self centre, pressure release neutral	1.27 (2.80)	
2432H555SA2B	1/4"NPT 4/3 Lever operated, self centre, pressure held neutral	1.27 (2.80)	

For switch operated versions specify code 0 in positions 6 and 7 of model number code for positive and self centre versions and in position 6 for spring return versions. For Rear flange mounted versions specify code 7 in position 8 of model number code.

INSTALLATION DIMENSIONS mm (inches)

4/2, 4/3 Lever operated

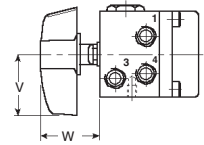
2422B555SA2B
2422M525SA2B
2432*555SA2B



NOTE: 2 Mounting holes $\varnothing 6.3(0.25)$ with screws to suit 6 (0.24) thick panel

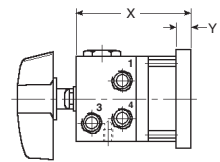
4/2, 4/3 Switch operated

2422B005SA2B
2422M025SA2B
2432*005SA2B



Rear flange mounting

2422B007SA2B
2422M027SA2B
2432*007SA2B



Model No	A	B	C	D	E	F	G	H	J	K	L	M	N	P	R	S	T	V	W	X	Y
24*2*5*5SA2B	140	59	63.5	20	12.7	M6	8	54	34.75°	32	38.1	19	24	1/4"NPT	15	13	35	40	38	73	9.5
	(5.51)	(2.32)	(2.50)	(0.79)	(0.50)	M6	(0.31)	(2.13)	34.75°	(1.26)	(1.50)	(0.75)	(0.94)	1/4"NPT	(0.59)	(0.51)	(1.38)	(1.57)	(1.50)	(2.87)	(0.37)